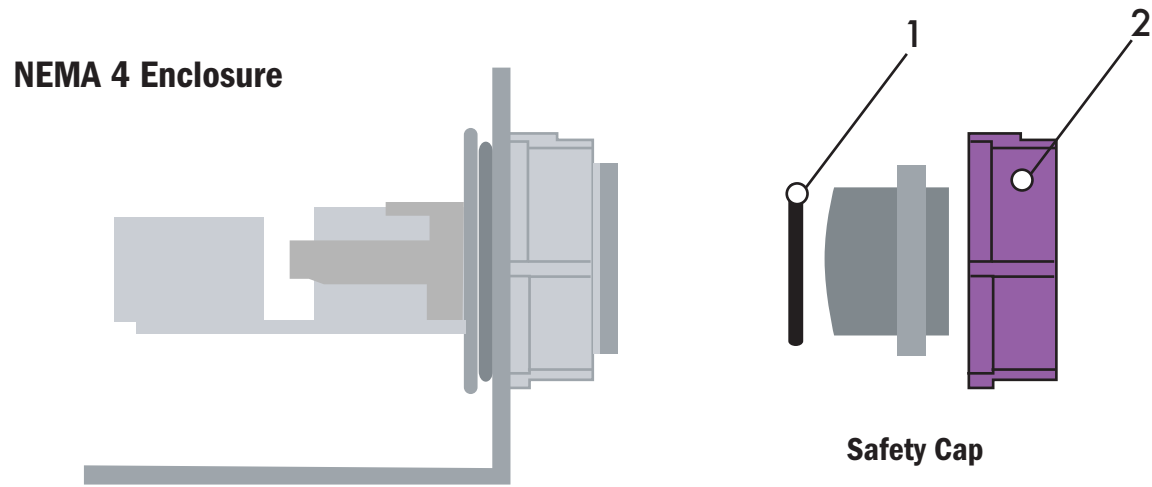


Waterproof RJ-45 Connector Assembly



Re-using items (1) and (2) from the safety cap, assemble the waterproof RJ-45 connector as shown below:

